



ATENA S.P.A. HAS A QUALITY
MANAGEMENT SYSTEM
CERTIFICATED BY RINA
IN COMPLIANCE WITH ISO 9001



Lighting Baffle

Standard Series Base 30 | 50



LIGHTING

ATE_LB30 | ATE_LB50

BAFFLE ELEMENTS DIMENSION

30 x 64 100 150 200 300	TRB	TS
50 x 100 150 200 300	carrier with predefined variable distances	carrier for distances and/or bases out of measure

Baffle maximum length 4000 mm.
Other heights on request up to 400 mm.

MATERIALS

Aluminum and steel
Thickness according to the project requirements

BAFFLE STRUCTURE

Baffle interlocking carriers made up of black prepainted steel thickness 8/10 or with RAL/NCS post-painting on request
Locking system

ANTISEISMIC EQUIPMENTS

Atena Antiseismic kit for ≤ 1,2 m plenum
Atena Antiseismic kit for > 1,2 m high plenum

SYSTEM HANGERS

Double hanger with spring or threaded bar

BAFFLE COLORS

Atena white, Atena silver pre-painted steel
Atena white, Atena silver pre-painted aluminum
RAL / NCS coatings

BAFFLE FINISHING

Plain or perforated surface
Sublimation of images and effects

BAFFLE PERFORATION

To choose among Atena perforation range

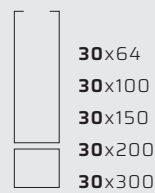
BAFFLE SYSTEM ACCESSORIES

Smooth closing caps on request, Baffle and carriers joints, alignment clips, different heights kit with Tilt Spin system hook.

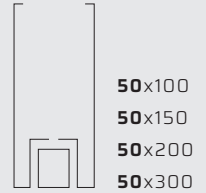
DESCRIPTION

Properly conceived to achieve a **perfect integration** between lightings and metal ceilings the Lighting Baffle powered by Atena Lux technology are equipped with last generation fittings. Developed according to the **Human Centric Lighting Criteria**, Atena Lux fittings are programmed in temperature, colour and intensity to satisfy the human **biological cycle** in order to improve the general comfort and the performance levels, in relation to the environment features and its uses.

LB 30



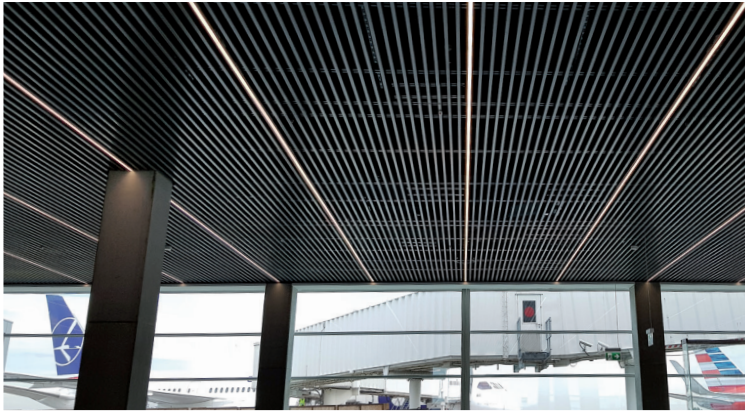
LB 50



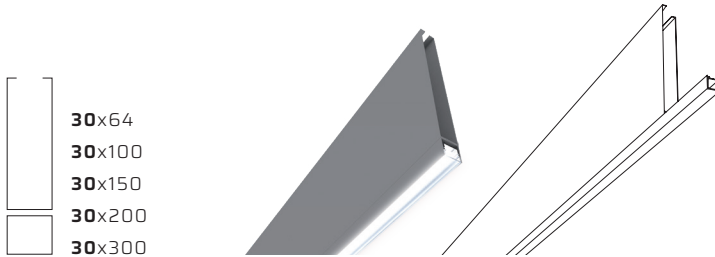
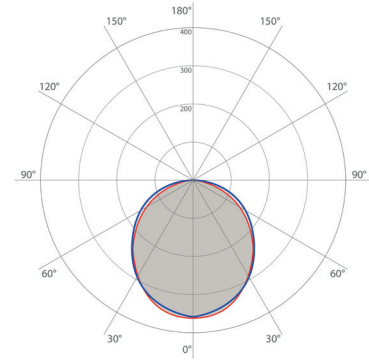
FASTENERS

Atena supplies the hangers and accessories such as screws, washers and nuts to connect the elements of its own supply only. Lightings, accessories and systems must not weigh on the metal ceiling system, but must be independently suspended. The fastening must be checked with regard to the loads, the anchoring base features and the installation accuracy, in order not to compromise the stability of the metal ceiling system.

LIGHTING BAFFLE LB30

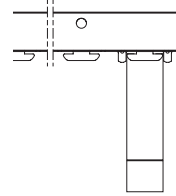


Photometric curve

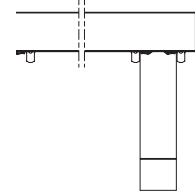


- 30x64
- 30x100
- 30x150
- 30x200
- 30x300

TRB carrier

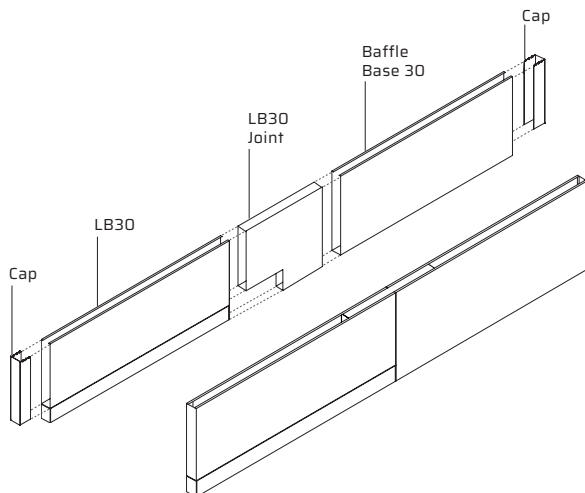


TS carrier



* Width LED module	WATT power	CCT	CRI	IP
561 mm	13	4000 K	>80	IP40
1121 mm	26	4000 K	>80	IP40
1681 mm	39	4000 K	>80	IP40
2241 mm	52	4000 K	>80	IP40
2801 mm	65	4000 K	>80	IP40

* Modular system with direct emission that can be used both individually and in continuous rows. | CCT= 3000 on request
CRI = > 90 on request



LB 30 DIMENSIONS

30x64 | 100 | 150 | 200 | 300
Other heights on request

MATERIALS

Aluminum | Steel

SOURCE

Long lasting LED
High level of chromatic index
"RGB" and "TUNABLE WHITE" on request
Balanced light emission
Opal optics

COMPONENTS

Independent unit smart drivers
LED closing heads kits (2 pcs)
Joints to couple Baffles and Lighting B.
Steel and aluminum Baffle caps
Electric cable length 1m

REGULATION CONFORMITY

EN 60598-1	EN 62031
EN 60598-2-1	EN 61347-1
EN 55015	EN 61347-2-13
EN 61000-3-2	2004/108/CE
EN 61000-3-3	2014/35/UE
EN 60529	2009/125/CE
EN 62493	2011/65/UE
EN 61547	2012/874/UE
CEI 76-10	2014/30/UE
EN 62471	

All dimensions are nominal and expressed in millimeters.
All technical specification data and information can be changed without advise.
For further information please contact sales department:
tel. + 39 0421 75526 export@atena-it.com

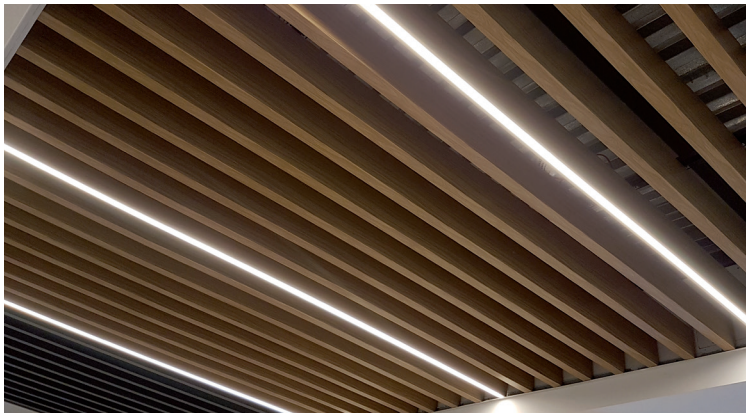
Schedule: source features

CCT= Color temperature

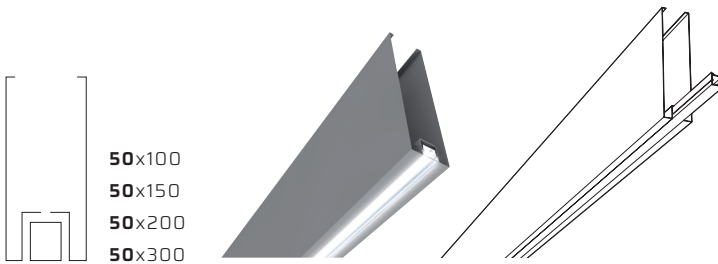
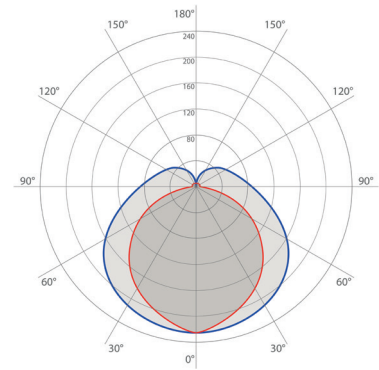
CRI= Chromatic index

IP= Protection degree

LIGHTING BAFFLE LB50

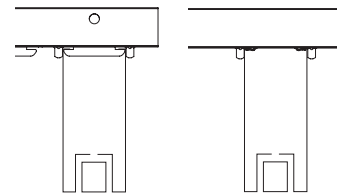


Photometric curve



TRB carrier

TS carrier



* Width LED module	WATT power	CCT	CRI	IP
500 mm	7,5 12,5	4000 K	>90	IP40
1000 mm	15 25	4000 K	>90	IP40
1500 mm	22,5 37,5	4000 K	>90	IP40
2000 mm	30 50	4000 K	>90	IP40

* Modular system with direct emission that can be used both individually and in continuous rows.

CCT= 3000 on request

LB 50 DIMENSIONS

50x100 | 150 | 200 | 300
Other heights on request

MATERIALS

Aluminum | Steel

SOURCE

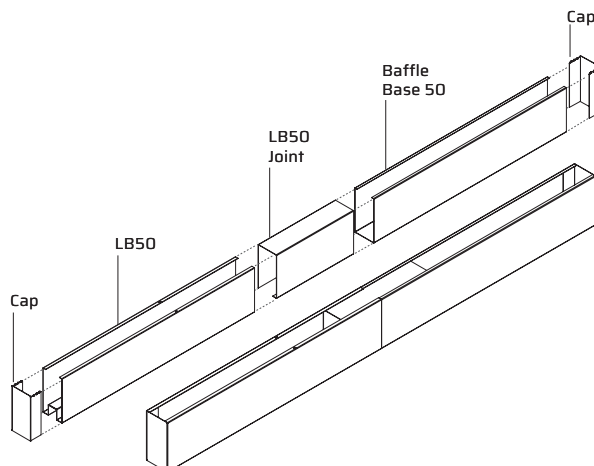
Long lasting LED
High level of chromatic index (CRI>90)
"RGB" and "TUNABLE WHITE" on request
Balanced light emission
Opal optics

COMPONENTS

Independent unit smart drivers
LED closing heads kits (2 pcs)
Joints to couple Baffles and Lighting Baffles
Steel and aluminum Baffle caps
Electric cable length 1m

REGULATION CONFORMITY

EN 60598-1
EN 60598-2-1
EN 60598-2-2
EN 60529
CEI 76-10
EN 62471
EN 62031
EN 61347-2-13
2014/35/UE
2009/125/CE
2011/65/UE
2012/874/UE



All dimensions are nominal and expressed in millimeters.
All technical specification data and information can be changed without advise.
For further information please contact sales department:
tel. + 39 0421 75526 export@atena-it.com